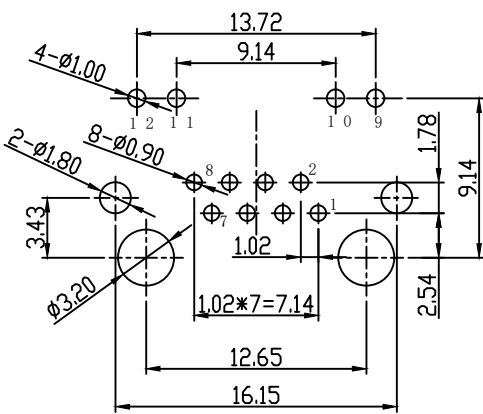
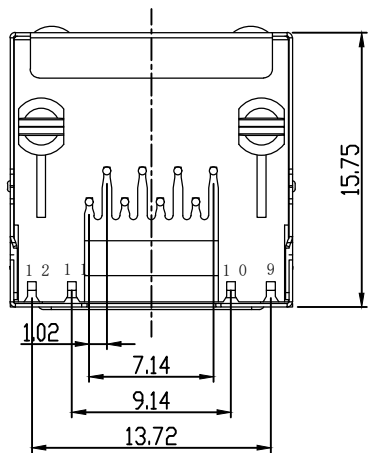
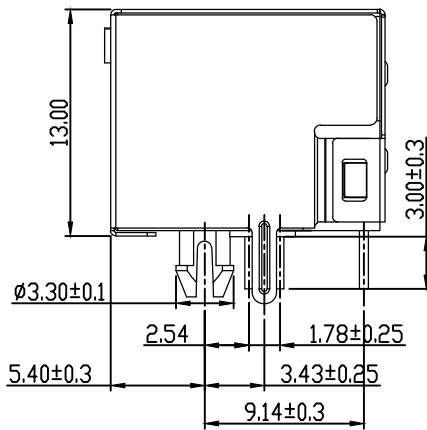
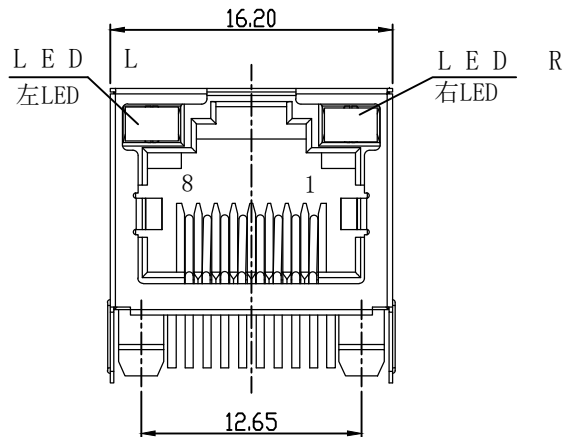


REV.	ECN.NO.	NAME	DATA
A0	NEW	MIN-D	2020-05-22



Recommend PCB Layout
(Jack Top View)
TOLERANCES:±0.05

SPECIFICATION NOTES:

ELECTRICAL:

- VOLTAGE RATING: 125 VAC RMS
- CURRENT RATING: 1.5 AMP
- CONTACT RESISTANCE: 30mΩ MAX.
- INSULATION RESISTANCE: 500MΩMIN. AT 500V DC.
- DIELECTRIC STRENGTH: 1000 VAC 50Hz 1MINUTE

MECHANICAL:

- HOUSING MATERIAL: SEE PART NUMBER.
- CONTACTS:Ø0.46mm PHOSPHOR BRONZE,GOLD PLATING OVER NICKEL
- SHIELD:0.20mm THICKNESS COPPER ALLOY WITH NICKEL PLATED.
- OPERATING LIFE:750 CYCLES MIN.
- MATING FORCE: 30N MAX. UNMATING FORCE: 30N MAX.

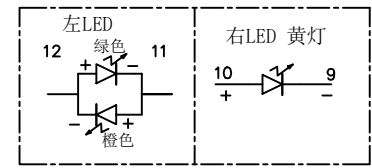
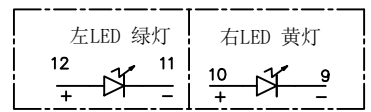
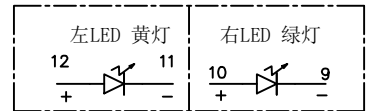
ENVIRONMENTAL:

- STORAGE: -40°C TO +85°C
- OPERATION: -40°C TO +85°C

PART NUMBER:
5J-XX 88 X X X 3-X

- 1x1: 11
 - 1x2: 12
 - 1x3: 13
 - 1x4: 14
 - 1x6: 16
 - 1x8: 18
- 8P8C:88
- Fu" : 1
1u" : 2
3u" : 3
6u" : 4
15u" : 5
30u" : 6
50u" : 7
- Plating
电镀

- A:无 LED B:左黄/右绿
C:左绿/右黄 D:左绿橙/右黄
- 0: 无外壳 无灯
1: 无外壳 带灯
2: 有外壳 带灯带EMI
3: 有外壳 带灯无EMI
4: 有外壳 无灯带EMI
5: 有外壳 无灯无EMI
- COLOR(颜色)
1.BLACK(黑色)
2.GRAY(灰色)
3.BLUE(蓝色)
4.YELLOW(114C黄)
5.WHITE(白色)
- Material
材质
- A:PBT
B:PA66
C:PA46



MM (INCH)	公差 TOLERANCES
MM	MM
0.0 ± 0.20	.0 ± 0.38
.00 ± 0.15	.00 ± 0.25
.00 ± 0.075	.000 ± 0.15
角度 (ANGLES) ± 1.5°	
第三角视图	

DETAILED LISTS

绘图 (Designed) MIN-D 2020-05-22

审核 (Checked)

批准 (Approved)

材料 (Material) SEE NOTES

比例 (SCALE) 1:1

XWJ 东莞市欣旺久电子有限公司 XIN WANG JIU Electronics Co.,Ltd			
系列 (SERIES)	名称 (NAME)		
RJ	XWJ-5J 8P8C 全包 带灯无EMI		
图号 (DWG NO.):	版本	A0	
料号 (PART NO.):	REV.	A0	
5J-XX88XXX3-X			
单位 (UNIT):	MM	共 (SHEET)	1 页 第 (OF) 1 页